

RoadRunner Mobile Digital Video Systems

Tech Tip: Installation of the Video Switcher (RR-S2C)

The RoadRunner (Model No. RR-S2C) video switchers are used to provide an additional 1-2 camera inputs to the MR4 or MR8 series of RoadRunner Digital Video Recorders (DVR). Typically, the additional camera inputs are configured to record during specific bus operations. For example the DVR will record cameras 1a,2a,3,4,5,6,7 and 8 when the doors are CLOSED. When the bus doors are OPEN, the DVR will record cameras 1b,2b,3,4,5,6,7 and 8. A video clip of an example can be found on our website: http://www.apollovideotechnology.com/video_clips.htm by selecting the video titled "Camera Switching". The video switcher also provides signal input buffers for alarm inputs.

Door CLOSED Action:

Camera 1a (forward-facing) and Camera 2a (aisle view) are activated and event is marked (optional)

Camera Input # 1:



Cam 1a switches to
Cam 1b when the
doors are open



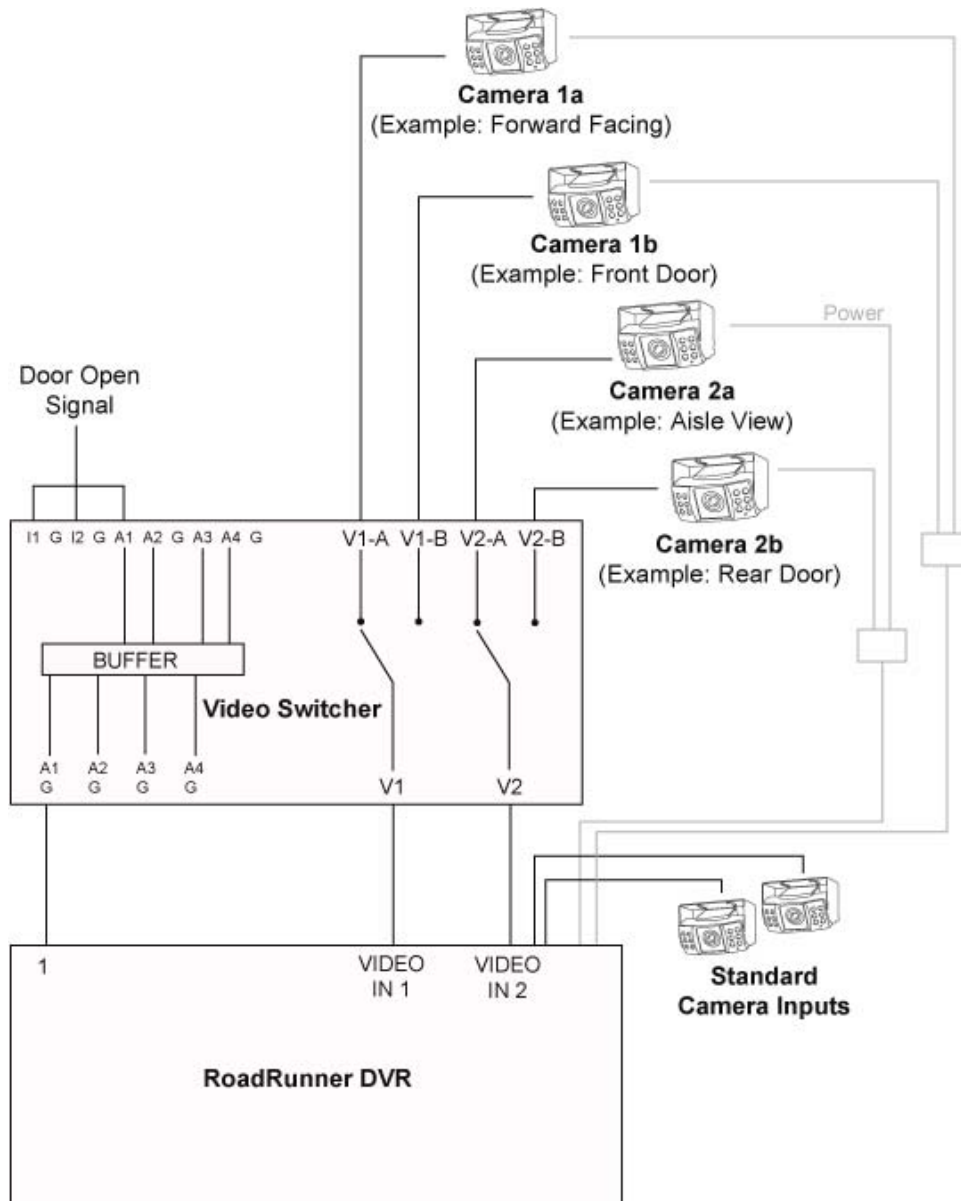
Camera Input # 2:



Cam 2a switches to
Cam 2b when the
doors are open



System Diagram:



Inputs: V1-A and V1-B video inputs switch to V1 output. Controlled by I1 on terminal block, I1 low V1-A is output, I1 high (5 to 74V) V1-B is output. V2 is the same as V1, controlled by I2. A1-A4: 5 to 74v signal inputs, buffered to outputs.

Outputs: 12v – 12v power from DVR. V1, V2 video outputs connect to the video input on the DVR. A1-A4 buffered inputs connect to the alarm inputs on the DVR.

NOTE: For adding cameras with audio capability an additional barrel connector and COAX cable is required