

Installation Instructions

RoadRunner Mobile Digital Video Systems Vertical DVR Mounting Bracket Kit (RR-MB2)

Items Included: Bracket, Left and Right Rail, Installation Instructions, Lock Washers, Bolts

1. Remove the floor mount bracket from the RoadRunner DVR by removing the acorn nuts from the shock mounts. Be sure to save the acorn nuts and star lock washers.
NOTE: There are a total of 12 acorn nuts, 2 for each shock mount
2. Determine mounting location for the vertical bracket and prepare mounting holes.
3. Install shock mounts to bracket using acorn nuts and lock washers using caution to not over-stress the rubber mounts. **(See Figure B)**
4. Secure the bracket to the wall.

Figure A: DVR with Floor Mount

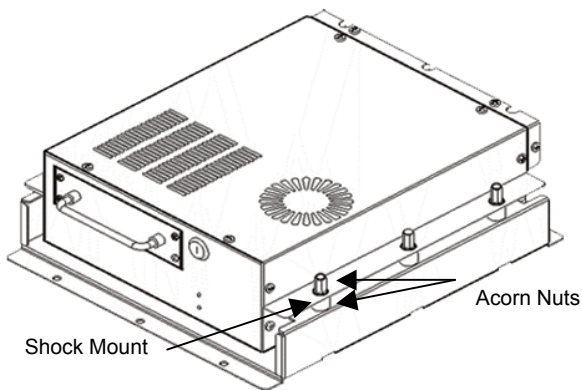
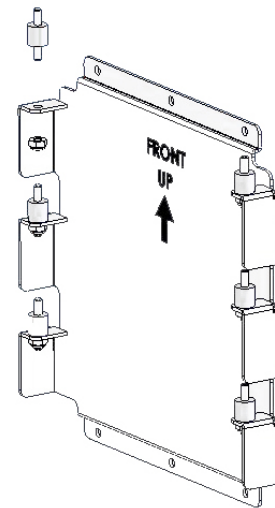


Figure B: Install shock mounts



Installation Instructions

5. Install the rails onto the DVR. Rails are to be installed under the DVR flange using the 1/4-20 bolts and lock washer provided. Be sure the arrows indicating the front of the unit point to the front. **(See Figure C)**
6. Connect required cables to the back of the DVR unit and attach the rear cable guard. *NOTE: The cabling should be left with enough slack in order to maneuver the DVR unit into the installation space.*
7. Lift DVR onto bracket. **(See Figure D)**
8. Install acorn nuts to secure the bracket using the star lock washers.

Figure C: Install rails onto the DVR

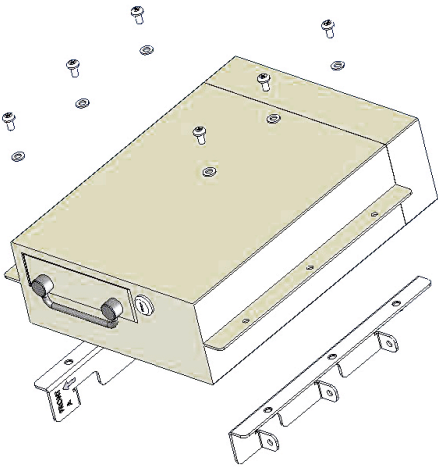


Figure D: Lift DVR onto bracket

